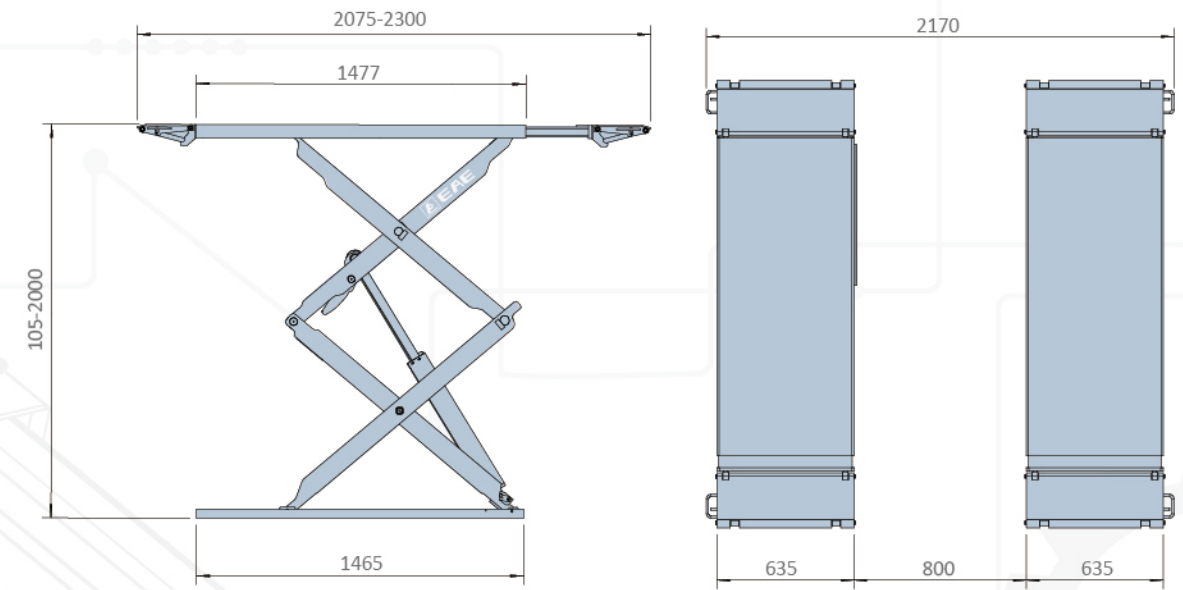


3.5T Lifting Capacity | 105MM Drive-on Height | 2000MM Max. Lifting Height | 2300MM Max. Platform Length | **CE**



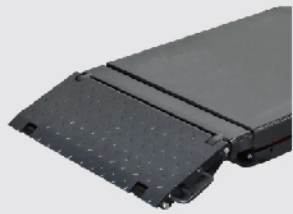
OVERALL DIMENSION



SCISSOR LIFT



Mechanical Safety Lock



Drive-on Ramp & Platform Extension



6501

FULL RISE SCISSOR LIFT

- 3.5T lifting capacity.
- The profile is as low as 105mm, perfect for surface mounting.
- Platforms can be extended maximally to 2300mm. Picked-up wheelbase can be up to 3400mm.
- Users' safety is double guaranteed by using both mechanical latches and restrictive valves.
- Reliable automatic-synchronization system.
- More free space under lifted vehicles due to maximally narrowed platform width and maximally enhanced rising height.
- 24V safe control system.

TECHNICAL DATA

MODEL NO.	6501
Lifting capacity	3.5T
Max. lifting height	2000mm
Min. height	105mm
Lifting time	Approx. 45S
Motor	3.5kW/3ph
Platform width	635mm
Weight	900kg
Electricity supply	According To Customer Needs



* Machine shown with optional equipment. Actual product appearance may differ.