

4.2T
Lifting Capacity

APS
Accurate Parking System

Asymmetric or Symmetric
Column Configuration



Symmetric



Asymmetric

25°



62C

ASYMMETRIC OR SYMMETRIC INSTALLATION

- Flexible installation height 3867mm/4300mm.
- With APS technology.
- Button control, easy and convenient.
- No additional spare parts are required, it can be installed symmetrically or asymmetrically, and the total height can also be adjusted.
- The arm locks engage and disengage automatically.
- Safety is double guaranteed both by mechanical latches and restrictive valves.
- Pre-fixed hydraulic pressure prevents overloading.
- Standard aluminum motor, no risks of overheating and longer service life.
- 24V safe control system.
- Vehicle roof protective device.
- Standard door protection pads to prevent possible damage to the door opened without caution.



24 Control Box



Auxiliary Control (Optional)



Strong Carriage and Arm Structure



M Arm (Optional)



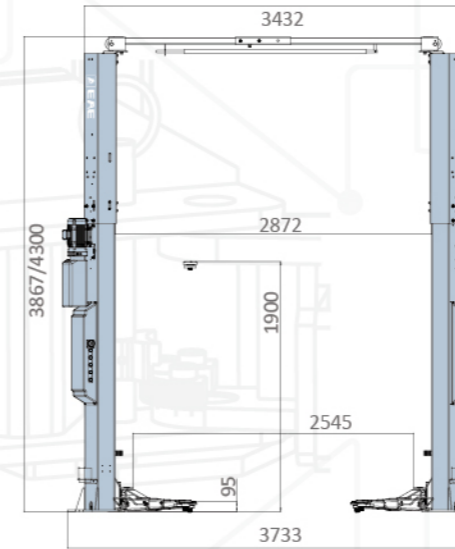
3-Stage Short Arm And 2-Stage Long Arm



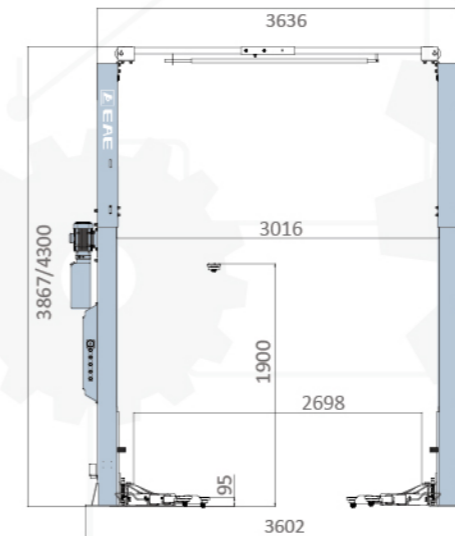
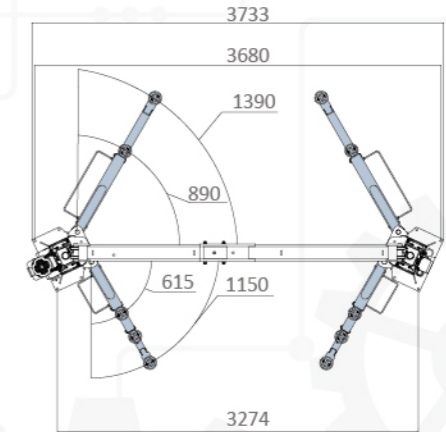
Accurate Parking System

Abbreviated as APS, it enables to efficiently park the lifted vehicle at exact height which is necessary for chassis maintenance, transmission repair or changing. Without this APS system, it is hard and also time-consuming to park exactly as each time you lower the vehicle, the carriage of the lift will rise to release the mechanical safety catch.

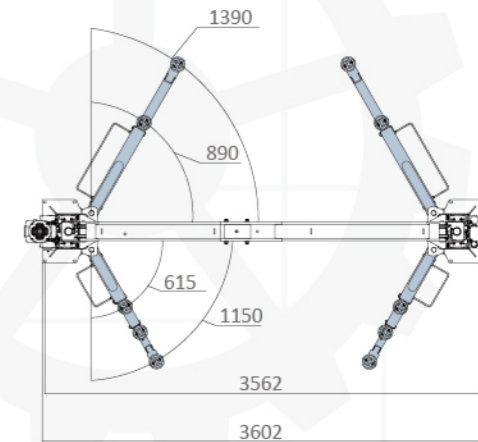
OVERALL DIMENSION



Asymmetric



Symmetric



TECHNICAL DATA

MODEL NO.	62C-35T/62C-42T	
Lifting capacity	3.5T/4.2T	
Structure Type	Asymmetric	Symmetric
Max. lifting height	1900mm	1900mm
Min height	95mm	95mm
Drive-through width	2545mm	2698mm
Lifting time	Approx. 35S	Approx. 35S
Motor	3.5kW/3ph	3.5kW/3ph
Electricity supply	According To Customer Needs	

* Max. Lifting height is measured with adjustable screw pads at highest position.
* Machine shown with optional equipment. Actual product appearance may differ.