

5.0T
Max. Capacity

APS
Accurate Parking System
Technology By EAE

2000MM
Max. Lifting Height
with Standard SUV Adapters



Accurate Parking System

Abbreviated as APS, it enables to efficiently park the lifted vehicle at exact height which is necessary for chassis maintenance, transmission repair or changing. Without this APS system, it is hard and also time-consuming to park exactly as each time you lower the vehicle, the carriage of the lift will rise to release the mechanical safety catch.



62B-35T/42T



62B-50T

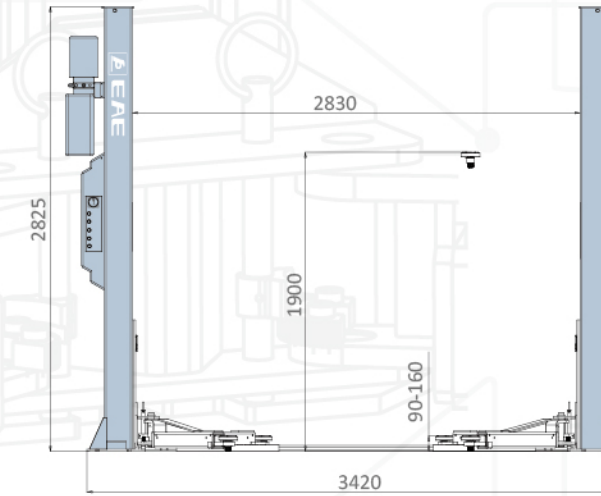


62B

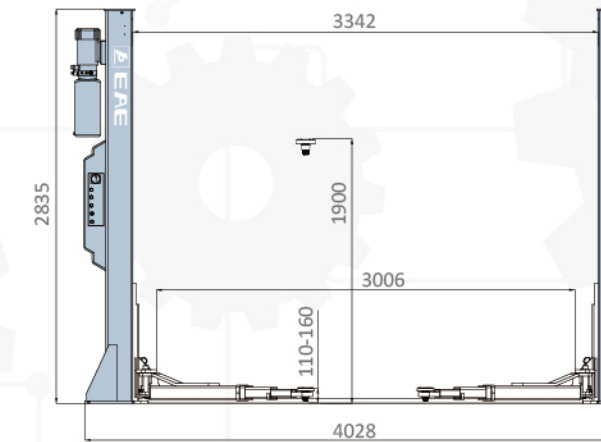
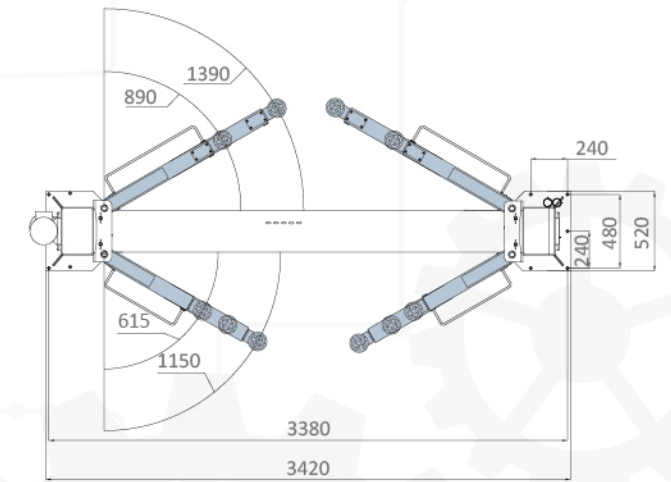
TWO POST LIFT WITH APS TECHNOLOGY

- Base Plate type for low ceiling workshops and garages.
- With APS technology.
- 1900mm lifting height.
- 3.5T/4.2T/5.0T lifting capacity.
- Durable cylinders in each column carry with anti-surge valves.
- Screw-up lifting pads with clearance height less than 100mm.
- 3-stage short arm and 2-stage long arm. (62B-35T/62B-42T)
- More flexible three stage arms.(62B-50T)
- The arm locks engage and disengage automatically.
- Standard aluminum motor avoids overheating and ensures long service life.
- Durable powder coating.
- Standard door protection pads to prevent possible damage when open the door without caution.
- Standard column curtain.
- Pre-fixed hydraulic pressure prevents overloading operation.
- ABS control box with rubber gasket sealing.
- CE certificated.

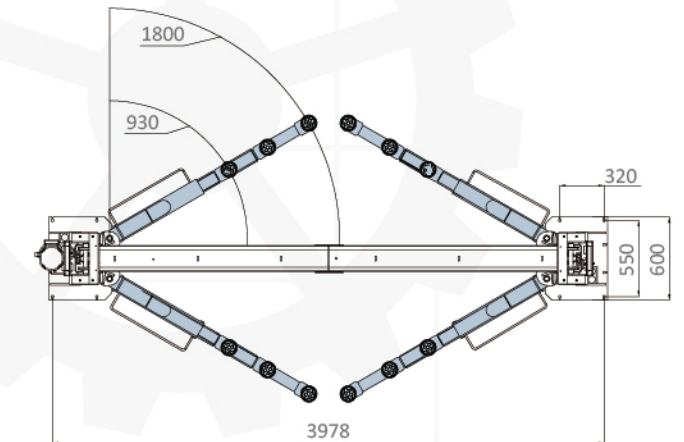
OVERALL DIMENSION



62B-35T/42T



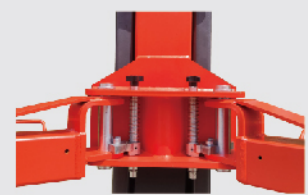
62B-50T



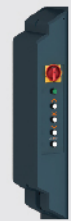
TECHNICAL DATA

MODEL NO.	62B-35T/62B-42T	62B-50T
Lifting capacity	3.5T/4.2T	5.0T
Max. lifting height	1900mm	1900mm
Overall height	2825mm	2835mm
Min. height	90mm	110mm
Drive-through width	2558mm	3006mm
Lifting time	Approx. 35S	Approx. 40S
Motor	3.5kW/3ph	3.5kW/3ph
Electricity supply	According To Customer Needs	

* Max. Lifting height is measured with adjustable screw pads at highest position.
* Machine shown with optional equipment. Actual product appearance may differ.



Strong Carriage and Arm Structure



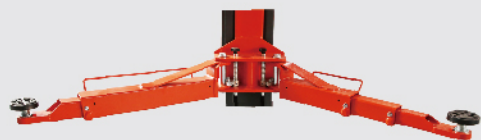
24 Control Box



Chain support with derailment protection



Round Screw-up Lifting Pad



3-Stage Short Arm And 2-Stage Long Arm(62B 3.5T/4.2T)