

Wireless | Independent Columns | HMI Screen | **CE**
 Easy and Convenient | No Steel Ropes



E28



E28
Type M Arms (Optional)



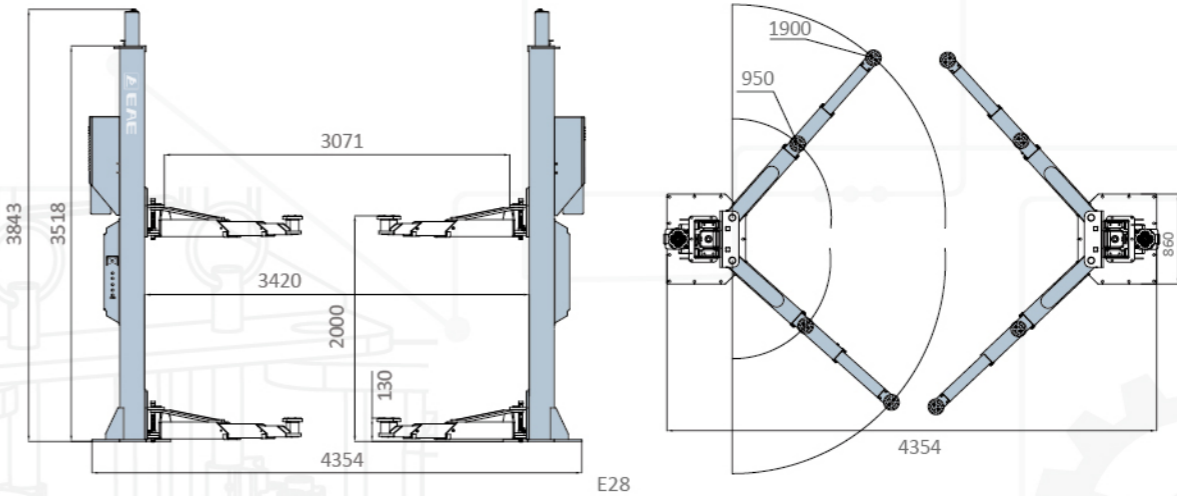
E28

INDEPENDENT TWO COLUMN LIFT

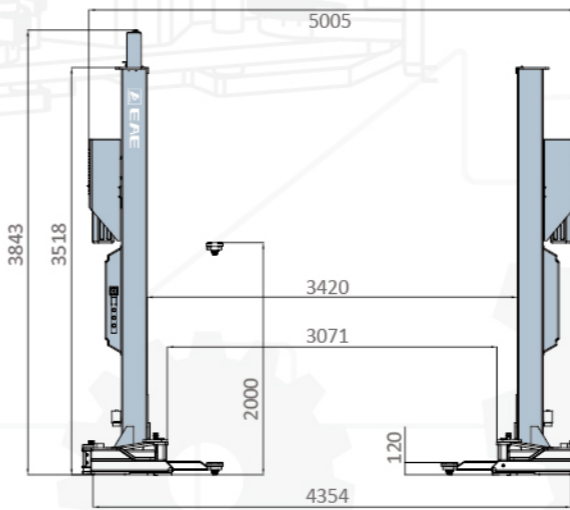
- With the maximum capacity being up to 8.0T, it is especially suitable for lifting large Pick-ups, MPVs, Vans, medium buses and loaded vehicles.
- Each column has an independent control and hydraulic power unit which provides adequate power for fast lifting and make it able to control at either side.
- HMI screen for setting networks and displaying crucial parameters.
- No interconnected ropes, hoses or wires between the two posts provides a free and unobstructed working space.
- Latch Detecting Device, Decide the movement through judging the status of the latch. Necessary for efficient parking at an expected height for chassis maintenance, transmission repair or changing.
- Synchronization is automatically achieved by wireless communication technology and deviation is only allowed within a safe range.
- Pure hydraulic drive, no lifting elements like lead screws, chains or wire ropes. Less maintenance cost in the long run.
- Less installation work and more adaptable to various spaces.
- More flexible three stage arms.
- Detecting device to identify the engagement and disengagement of the mechanical locking unit.
- Optional type-M arms to pick up from the Smart to the long wheelbase MPVs and Vans.

QUIKMULTI

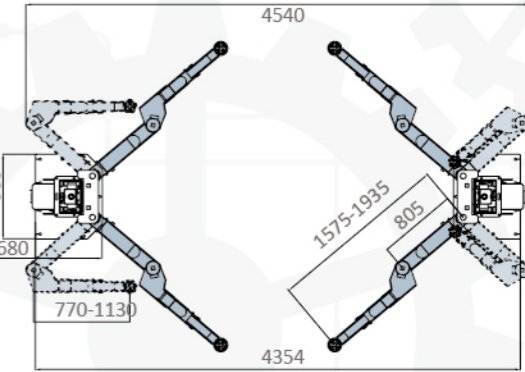
OVERALL DIMENSION



E28



E28
Type M Arms



TECHNICAL DATA

MODEL NO.	E28
Lifting capacity	8.0T
Max lifting height	2000mm
Min height	130mm
Lifting time	Approx. 50S
Motor	2.2kWx2
Drive-through width	2900-3300mm
Overall height	3843mm
Electricity supply	According To Customer Needs

* Max. Lifting height is measured with adjustable screw pads in highest position.
 * Machine shown with optional equipment. Actual product appearance may differ.



Intelligent Control System



HMI Screen
(Optional weight indicator)



Second Control Box



Height Limit Switch and
Displacement Sensor



Four 3-Stage Arms