

Model No. EE-TS6600

Short Platform Scissor Lift

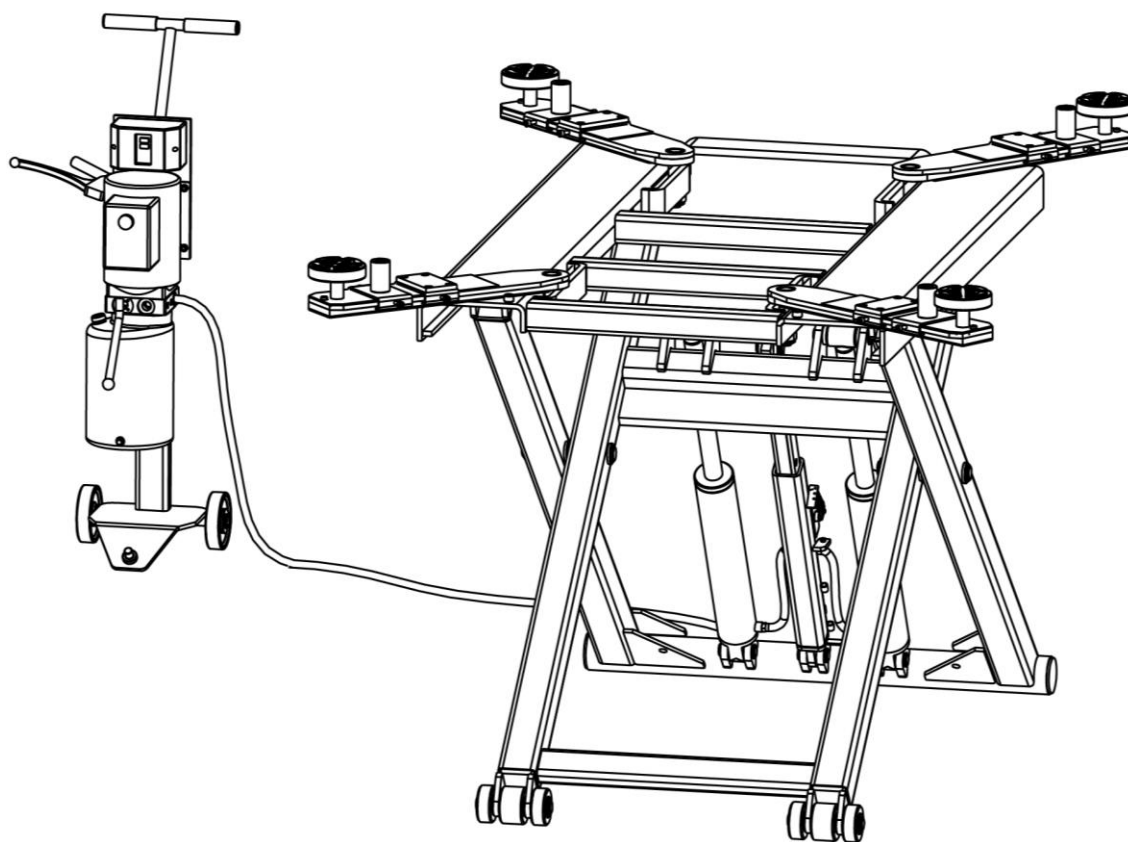
Mid Rise

Lifting Capacity, 3000KG

**Installation, Operation
and Parts Manual**



EAE



Distributed by

Please read this entire manual carefully and completely before installation or operation of the lift.

Date: 26.04.2017

www.eae-ae.com

IMPORTANT NOTES	3
SAFETY NOTES	错误!未定义书签。
1.1 Operation of lifting platforms	错误!未定义书签。
1.2 Checking of the lifting platforms	错误!未定义书签。
1.3 Important safety notices	错误!未定义书签。
1.4 Potential safety risks	错误!未定义书签。
1.5 Noise level	错误!未定义书签。
PACKING, STORAGE AND TRANSPORTATION	错误!未定义书签。
2.1 The lift was dismantled into the following 2 parts for transportation	错误!未定义书签。
2.2 Storage	错误!未定义书签。
2.3 Opening the packs	错误!未定义书签。
PRODUCT DESCRIPTIONS	错误!未定义书签。
3.1 General descriptions	错误!未定义书签。
3.2 Construction of the lift	错误!未定义书签。
3.3 Dimensions	错误!未定义书签。
3.4 Technical data	错误!未定义书签。
INSTALLATION INSTRUCTIONS	错误!未定义书签。
4.1 Preparations before installation	错误!未定义书签。
4.2 Installation attentions	错误!未定义书签。
4.3 General Installation Steps	错误!未定义书签。
4.4 Items to be checked after installation.	错误!未定义书签。
OPERATION INSTRUCTIONS	错误!未定义书签。
5.1 Precautions	错误!未定义书签。
5.2 Descriptions of operation unit	错误!未定义书签。
5.3 Operation instructions rope	错误!未定义书签。
5.4 Move the unloaded lift	错误!未定义书签。
TROUBLE SHOOTING	错误!未定义书签。
MAINTENANCE	错误!未定义书签。
Annex 1, Electrical schemes and parts list	错误!未定义书签。
Annex 2, Hydraulic schemes and parts list	错误!未定义书签。
Annex 3, Mechanical exploded drawings and parts list	错误!未定义书签。

IMPORTANT NOTES

Before start up, connecting and operating EAE products, it is absolutely essential that the operating instructions/owner's manual and, in particular the safety instructions are studied carefully. By doing so you can eliminate any uncertainties in handling EAE products and thus associated safety risks up front; something which is in the interest of you own safety and will ultimately help avoid damage to the device, When an EAE product is handed over to another person, not only the operating instructions but also the safety instructions and information on its designated use must be handed over to the person.

By using the product you agree the following conditions:

Copy right

The enclosed instructions are the property of EAE or its supplier, and are protected against duplication and reproduction by copyright laws, international agreements, and other domestic legislation. The reproduction or disclosure of instructions or an extract thereof is prohibited and offenders are liable to prosecution; EAE reserves the right or initiates criminal proceedings and asserts claims for damages in the event of infringements.

Warranty

The use of non-approved hardware will result in a modification of our products and thus to the exclusion of any liability or warranty, even if such hardware has been removed again in the interim.

It is not permissible to make any changes to our products and these are not only to be used together with genuine accessories and genuine replacement parts. Otherwise any warranty claims will be invalid.

Liability

The liability of EAE is limit to the amount that the customer has actually paid for this product. This exclusion of liability does not apply to damages caused through willful misconduct or gross negligence on the part of EAE.

SAFETY NOTES

1.1 Operation of lifting platforms

This lift is specially designed for lifting motor vehicles. Users are not allowed to use it for any other purposes. The applicable national regulations, laws and directives must be observed.

Only users aged 18 or above who have been instructed on how to operate the lifting platform and have proven their ability to do so to the owner are to be entrusted with unsupervised operation of lifting platforms. The task of operating the lifting platforms must be granted in writing.

Before loading a vehicle onto the lifting platform, users should study the original operation instructions and familiarize themselves with the operating procedures in several trial runs.

Lift vehicle within the rated load. Don't attempt to raise vehicles with excessive weight.

1.2 Checking of the lifting platforms

Checks are to be based on the following directives and regulations:

- Basic principles for testing lifting platforms
- The basic health and safety requirements
- Harmonized European standards
- The applicable accident prevention regulations

The checks are to be organized by the user of the lifting platform. The user is responsible for appointing an expert or qualified person to perform checking. It must be ensure that the person chosen satisfies the requirements.

The user bears special responsibility if employees of the company are appointed as experts or qualified persons.

1.2.1 Scope of checking

Regular checking essentially involves performing a visual inspection and a functional test. This includes checking the condition of the components and equipment, checking that the safety systems are complete and functioning properly and that the inspection log book is completely filled in. The scope of exceptional checking depends on the nature and extent of any structural modification or repair work.

1.2.2 Regular checking

After initial commissioning, lifting platforms are to be checked by a qualified person at intervals of not longer than one year.

A qualified person is somebody with the training and experience required to possess sufficient knowledge of lifting platforms and who is sufficiently familiar with the pertinent national regulations, accident prevention regulations and generally acknowledged rules of engineering to be able to assess the safe operating condition of lifting platforms.

1.2.3 Exceptional checking

Lifting platforms with a lift height of more than 2 meters and lifting platforms intended for use with people standing under the load bearing elements of the load are to be checked by an expert prior or reuse following structural modifications and major repairs to load bearing components.

An expert is somebody with the training and experience required to possess specialist knowledge of lifting platforms and who is sufficiently familiar with the pertinent national work safety regulations, accident prevention regulations and generally acknowledged rules of engineering to be able to check and give an expert option on lifting platforms.

1.3 Important safety notices

1.3.1 DO not expose the lift to rain, snow or excessive moisture.

1.3.2 Only use this lift on a surface that is stable, level and dry and not slippery, and capable of sustaining the load. Do not install the lift on any asphalt surface.

1.3.3 Read and understand all safety warnings before operating the lift.

1.3.4 Do not leave the controls while the lift is still in motion.

1.3.5 Keep hands and feet away from any moving parts. Keep feet clear of the lift when lowering.

1.3.6 Only these properly trained personnel can operate the lift.

1.3.7 Do not wear unfit clothes such as large clothes with flounces, tires, etc., which could be caught by moving parts of the lift.

1.3.8 To prevent evitable incidents, surrounding areas of the lift must be tidy and with nothing unconcerned.

1.3.9 The lift is simply designed to lift the entire body of vehicles, with its maximum weight within the lifting capacity.

1.3.10 Always insure the safety locks are engaged before any attempt to work near or under the vehicle. Never remove safety related components from the lift. Do not use if safety related components are damaged or missing.

1.3.11 Do not rock the vehicle while on the lift or remove any heavy component from vehicle that may cause excessive weight shift.

1.3.12 Check at any time the parts of the lift to ensure the agility of moving parts and the performance of synchronization. Ensure regular maintenance and if anything abnormal occurs, stop using the lift immediately and contact our dealers for help.

1.3.13 Lower the lift to its lowest position and do remember to cut off the power source when service finishes.

1.3.14 Do not modify any parts of the lift without manufacturer's advice.

1.3.15 If the lift is going to be left unused for a long time, users are required to:

- a. Disconnect the power;
- b. Empty the oil tank;
- c. Lubricate the moving parts with hydraulic oil.

WARNING: *The warnings, cautions and instructions discussed in this instruction manual cannot cover all possible conditions and situations that may occur. It must be understood by the operator that common sense and caution are factors which cannot be built into this product, but must be supplied by the operator.*

Attention: For environment protection, please dispose the disused oil in a proper way.

1.4 Potential safety risks

1.4.1 Mains voltage



Insulation damage and other faults may result in accessible components being live

Safety measures:

- Only ever use the power cord provided or a tested power cord.
- Replace wires with damaged insulation.
- Do not open the operating unit.

1.4.2 Risk of injury, danger of crushing

In the event of excessive vehicle weight, incorrect mounting of the vehicle or on removing heavy object, there is a risk of the vehicle falling off the lifting platform or tipping up.

Safety measures:

- The lifting platform is only ever to be employed for the intended purpose.
- Carefully study and heed all the information given in Section 1.3.
- Observe the warning notices for operation.

1.5 Noise level

Noise emitted during operating the lift should be less than 70dB(A).

For your health consideration, it is suggested to place a noise detector in your working area.

PACKING, STORAGE AND TRANSPORTATION

Packing, lifting, handling, transporting operations must be performed only by experienced personnel with appropriate knowledge of the lift and after reading this manual.

2.1 The lift was dismantled into the following 2 parts for transportation

<i>Name</i>	<i>Packed by</i>	<i>Dimension(mm)</i>	<i>Weight(kg)</i>	<i>Qty</i>
<i>Control and power unit</i>	<i>Wooden case</i>	<i>540*430*1150</i>	54	1
<i>Lift platforms</i>	<i>Carton with wooden base</i>	<i>2210*1130*235</i>	370	1

2.2 Storage

The packs must be kept in a covered and protected area in a temperature range of -10°C to $+40^{\circ}\text{C}$. They must not be exposed to direct sunlight, rain or water.

Stacking the packs

We advise against stacking because the packs are not designed for this type of storage. The narrow base, heavy weight and large size of the packs make stacking difficult and potentially dangerous.

If stacking is unavoidable, use all appropriate precautions:

- never stack to more than 2 meters in height.
- never make stacks of single packs. Always stack pairs of packs in a cross pattern so that the base is bigger and the resulting stack is more stable. Once the stack is complete, restrain it using straps, ropes or other suitable methods.

A maximum of two packs can be stacked on lorries, in containers, and in railway wagons, on condition that the packs are strapped together and restrained to stop them falling.

2.3 Opening the packs

When the lift is delivered make sure that it has not been damaged during transportation and that all the parts specified on the packing list are present.

Packs must be opened adopting all the precautions required to avoid injury to persons.

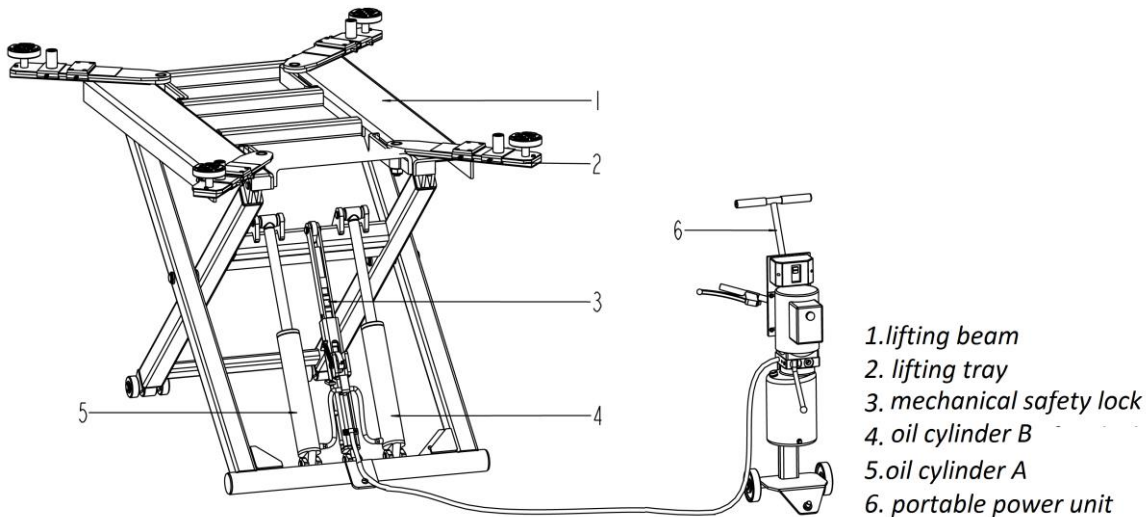
Take special care with the hydraulic power unit, the control panel and the cylinders.

PRODUCT DESCRIPTIONS

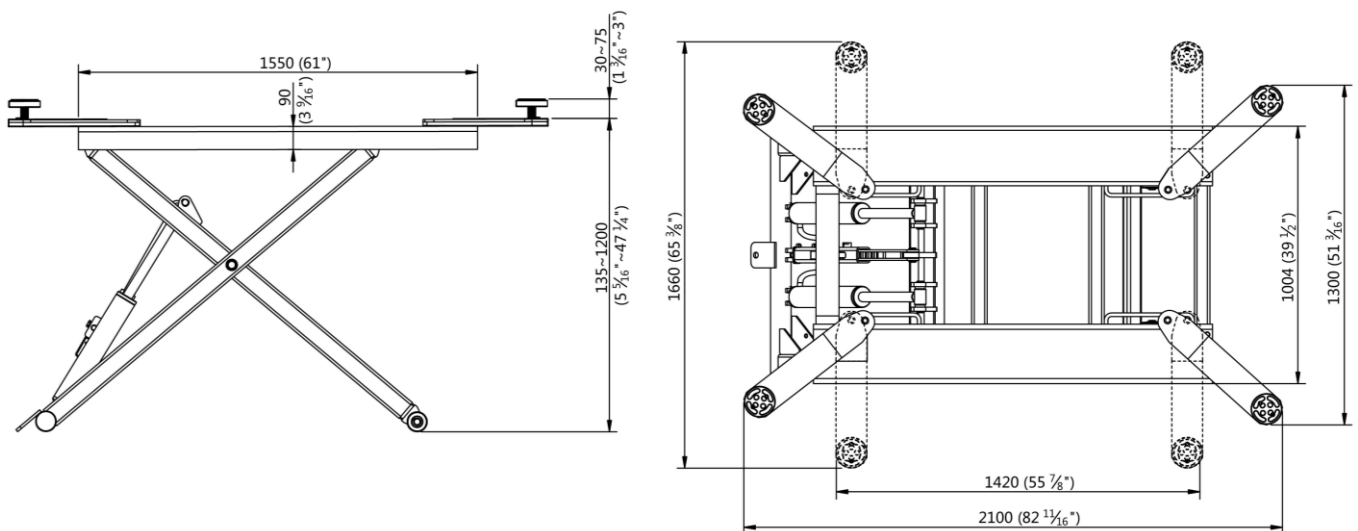
3.1 General descriptions

The lift is driven by an electro-hydraulic system. The gear pump delivers hydraulic oil to oil cylinders and pushes upwards their pistons to raise the lifting beams. .

3.2 Construction of the lift



3.3 Dimensions



3.4 Technical data

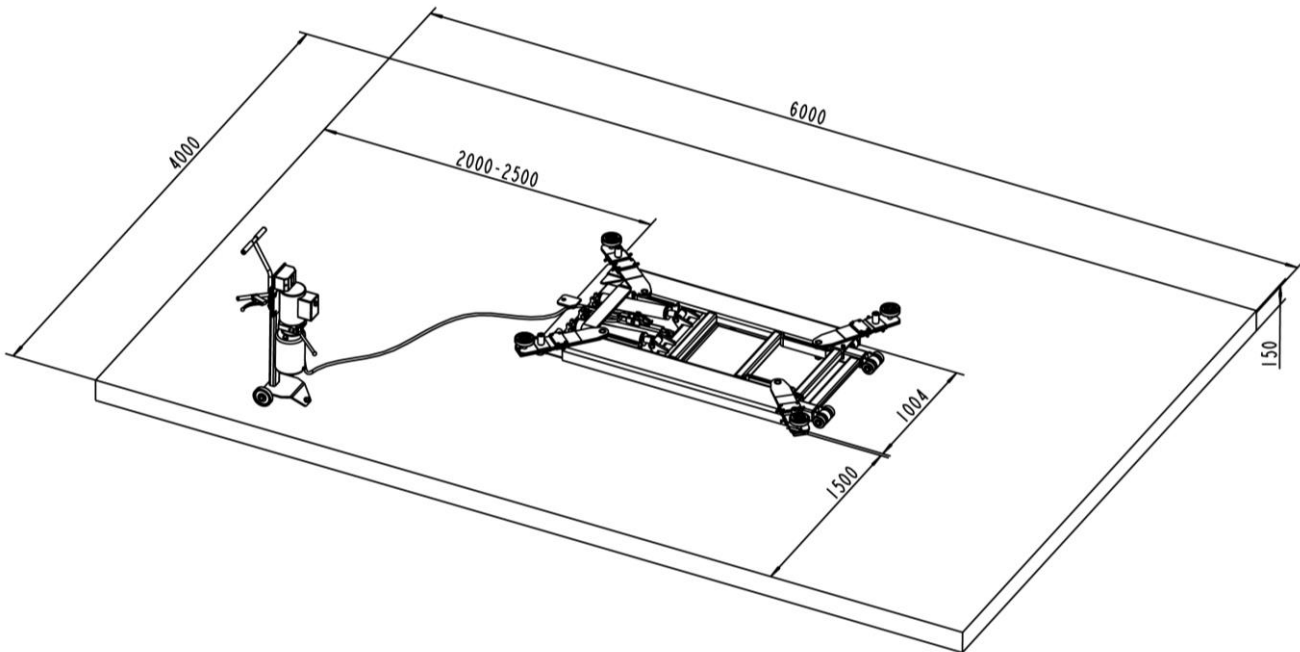
Rated load capacity	3000KG
Full rise time with load	≤45s
Full lowering time with load	≤45s
Oil Volume	6L

INSTALLATION INSTRUCTIONS

4.1 Preparations before installation

4.1.1 Space requirements

Refer to 3.3 for the dimensions of the lift. There must also be a clearance of at least 1 meter between the lifting platform and fixed elements (e.g. wall) in all lifting positions. There must be sufficient space at the ends of the lifting platform for driving vehicles on and off.



To stop vehicles colliding with the ceiling, it is advisable to fit an overhead light barrier in low ceiling buildings.

4.1.2 Foundations and connections

The user must have the following work performed before erecting the lift.

- Construction of the foundation following consultation with the manufacturer’s customer service or an authorized service agent.
- Routing of the wiring to the installation location. The user must provide fuse protection for the connection.
- Requirements for power supply cable of the installation site: at least 2.5mm² wire core for 3Ph power and 4.0mm² wire core for 1Ph power.

4.1.3 Tools and equipment needed for installation

Tool name	Specification	Qty
Open spanner	D17-19	2
Adjustable spanner	bigger than D30	1
Cross socket screw driver	PH2	1
Lift device	Capacity more than 500KG	1
Socket spanner	D6	1

4.1.4 Checking parts

Unfold the package and check if any parts missed as per the following list. Do not hesitate to contact us in case any parts missed.

S/N	Name	Specification	Qty
1	TS6600 lifting platform	TS6600-A00	1
2	Spare parts carton		1
2.1	Lifting tray	TS6600-A03-B03	4
2.2	Lifting tray holder	TS6600-A03-B02-C01	4
2.3	Lifting pad	TS6600-A03-B06	4
2.4	Hex socket cylinder head screw M6*20	M6*20	20
2.5	Circlip M17	M17	4
2.6	Nylon clip	4*200	4
3	Control unit		1
3.1	Power unit	TS6600-A06-B01	1
3.2	Release handle	TS6600-A06-B02	1
3.3	Hex head full swivel screw M8*20	M8*20	4
3.4	Spring washer D8	D8	4
3.5	Flat washer D8	D8	4

4.2 Installation attentions

4.2.1 Joints of oil hose and wiring must be firmly connected in order to avoid leakage of oil hose and loose of electrical wires.

4.2.2 All bolts should be firmly screwed up.

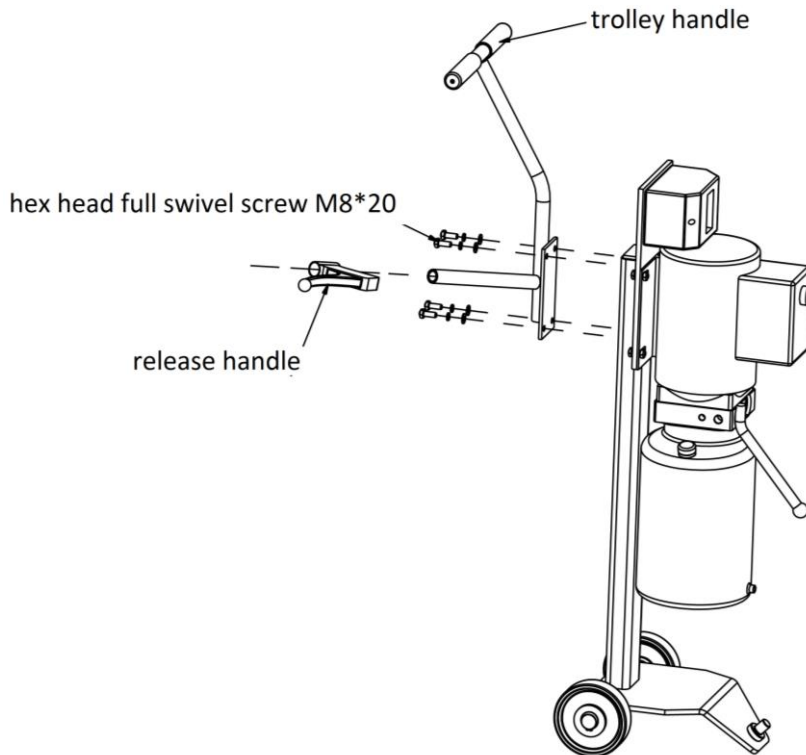
4.2.3 Do not place any vehicle on the lift in the case of trial running.

4.3 General Installation Steps

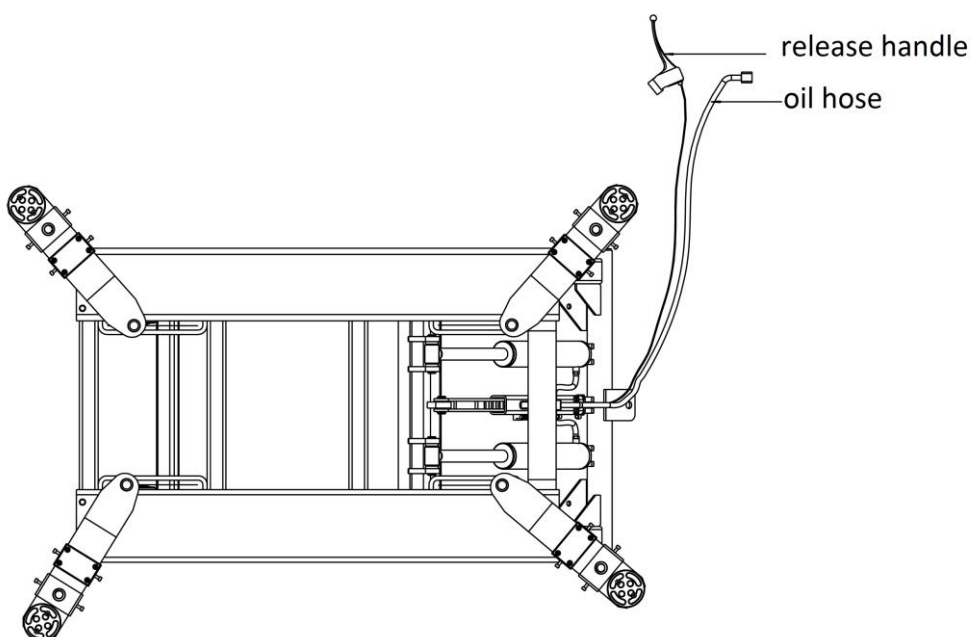
Step 1: Remove the packaging and take the mechanical and hydraulic assembly to the designated installing place.

Please do read and understand this manual thoroughly before next step.

Step 2: Fix the portable power unit.

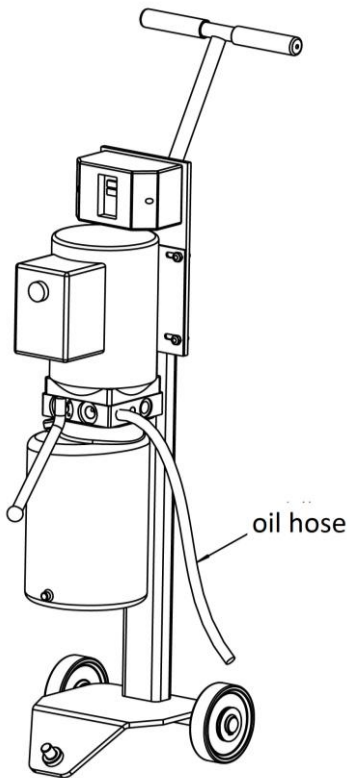
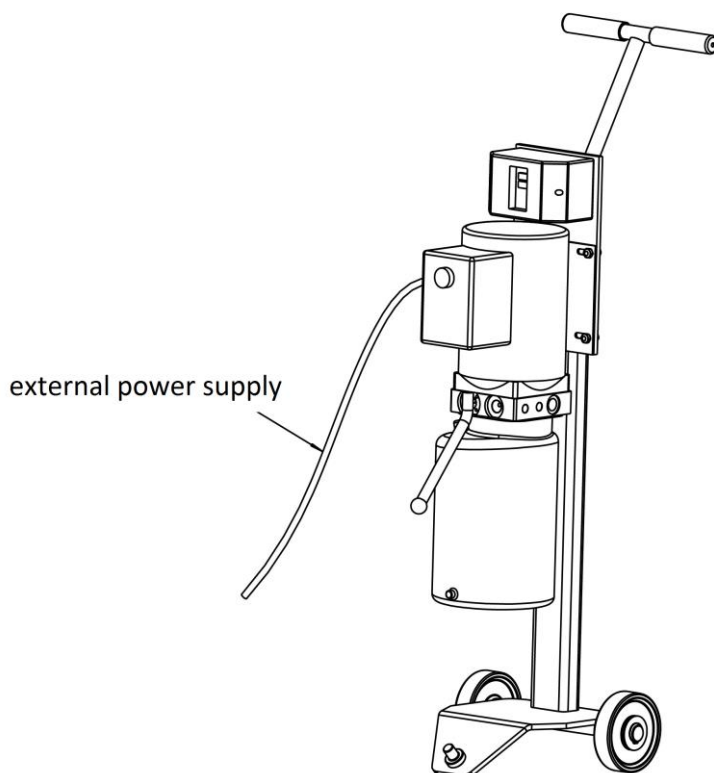


Step 3: Sort out the oil hose and release cable for mechanical locking unit.



Step 4: Connect the oil hose.

Connect the fitting of oil hose with its tie-in on the hydraulic block.

**Step 5: Connect external power supply.**

Step 6: Fill with hydraulic oil.

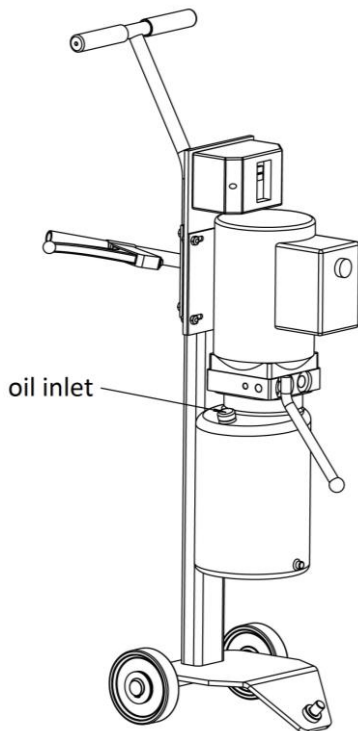
ONLY CLEAN AND FRESH OIL ONLY .Lift must be fully lowered before changing or adding hydraulic oil.

Pour 6 liters anti-abrasion hydraulic oil into the oil tank.

Run the lift for several cycles and add more oil until the lifting platform can reach its maximum height.

Note: It is suggested to use NO.46 hydraulic oil when average temperature of the location is above 18 degree Celsius and using NO.32 hydraulic oil when temperature is below 18 degree Celsius.

Change the oil 6 months after initial use and change once per year thereafter.

**Step 7: Trial running.**

After reviewing these instructions, get familiar with lift controls by running the lift through a few cycles before loading vehicle on lift. This step is of particular importance for it can check if the oil hose is well connected. The connection is qualified when there is no abnormal sound or leakage after having been tested for 5-6 times.

Raise and lower lift several times. The cylinder is self-bleeding. After bleeding system, fluid level in power unit reservoir may be down. Add more fluid if necessary to raise lift to full height. It is only necessary to add fluid to raise lift to full height.

4.4 Items to be checked after installation.

S/N	Check items	YES	NO
1	Rising speed $\geq 20\text{mm/s}$;		
2	Noise with rated load $\leq 75\text{db}$;		
3	Grounding resistance: not bigger than 4Ω ;		
4	Mechanical locks can engage and release effectively.		
5	If the control button works as "hold to run"?		
6	If grounding wire is connected?		
7	If the lift rises and lowers smoothly?		
8	If there is no abnormal noise during running with rated load?		
9	If there is no oil leakage when running with rated load?		
10	If max lifting height is 1200mm?		
11	If safety advices, name plate and logos are clear?		

OPERATION INSTRUCTIONS

5.1 Precautions

5.1.1 Check all connections of oil hose. Only when there is no leakage, the lift can start work.

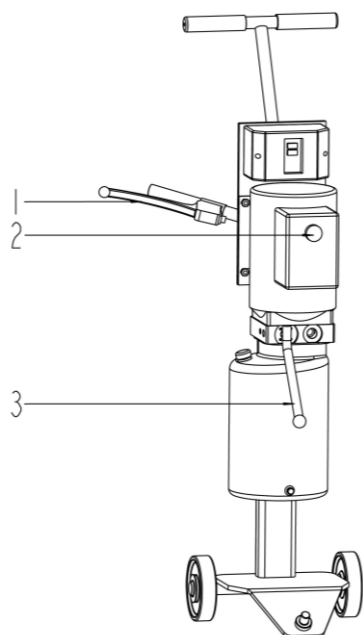
5.1.2 The lift, if its safety device malfunctions, shall not be used.

5.1.3 It shall not lift or lower an automobile if its center of gravity is not positioned midway of the runways.

5.1.4 Operators and other personnel concerned should stand in a safety area during lifting and lowering process.

5.1.5 Make sure the safety lock of the lift is engaged before start working under the vehicle and no people under the vehicle during lifting and lowering process.

5.2 Descriptions of operation unit



1. mechanical lock releasing handle
2. UP button
3. lowering handle

5.3 Operation instructions

Only use this lift on a surface that is stable, level and dry and not slippery, and capable of sustaining the load.

To avoid personal injury and/or property damage, permit only trained personnel to operate the lift.

After reviewing these instructions, get familiar with lift controls by running the lift through a few cycles before loading vehicle on lift. Always lift the vehicle using all four adapters. Never raise just one end, one corner or one side of vehicle.

The lift must be only used in a static position for lifting and lowering vehicles.

Raise the lift

Make sure vehicle is neither front nor rear heavy and center of balance should be midway between adapters and centered over the lift.

1. Make sure that you have read and understood the operation manual before operation.
2. Load vehicle on lift carefully. Position the lift adapters to contact at the vehicle manufacturer's recommended lift points.
3. Push the UP button to raise lift until adapters contact vehicle.
4. Check adapters for secure contact with vehicle. Raise lift to expected working height.

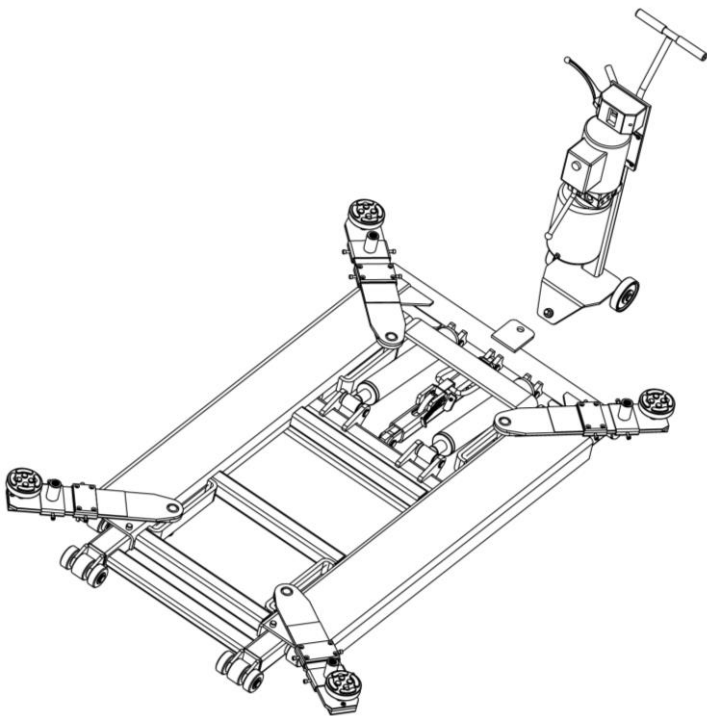
Lower the lift

When lowering the lift pay careful attention that all personnel and objects are kept clear.

1. Release the safety lock by holding the mechanical lock releasing handle before attempting to lower lift.
2. Push down the lowering handle.
3. When the lift is fully lowered, position the lift arms and adapters to provide an unobstructed exit before removing vehicle from lift area.

5.4 Move the unloaded lift

DO NOT attempt to move the lift when it is loaded.



TROUBLE SHOOTING

ATTENTION: If the trouble could not be fixed by yourself, please do not hesitate to contact us for help .We will offer our service at the earliest time we can. By the way, your troubles will be judged and solved much faster if you could provide us more details or pictures of the trouble.

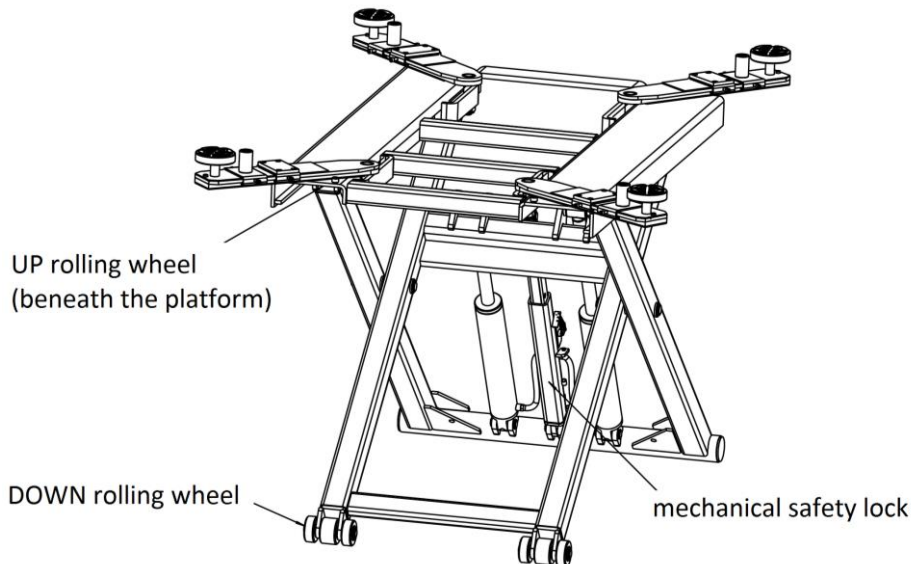
TROUBLES	CAUSES	SOLUTIONS
Motor does not run and will not raise.	Loose wire connection	Check and make a good connection.
	Blown motor.	Replace it.
Motor runs but will not raise.	The motor run reversely.	Check the wire connection.
	Overflow valve is not well screwed up or jammed.	Clean or make adjustment
	Damaged gear pump.	Replace it.
	Too low oil level.	Add oil.
	The hose connection is loose.	Tighten it.
	The cushion valve is not well screwed up or jammed.	Clean or make adjustment
Platforms go down slowly after being raised.	The oil hose leaks.	Check or replace it.
	Untightened oil cylinder.	Replace the seal.
	The single way valve leaks.	Clean or replace it.
	Unloading valve leaks.	Check and adjust the tightness.
Raising too slow.	Jammed oil filter	Clean or replace it.
	Too low oil level.	Add oil.
	The overflow valve is not adjusted to the right position.	Make adjustment.
	Too hot hydraulic oil (above 45°) .	Change the oil.
	Abraded seal of the cylinder	Replace the seal.
Lowering too slow.	Jammed throttle valve	Add grease.
	Dirty hydraulic oil	Clean or replace.
	Jammed anti-surge valve	Change the oil.
	Jammed oil hose	Clean it.

MAINTENANCE

Easy and low cost routine maintenance can ensure the lift work normally and safely.

Follow the below routine maintenance schedule with reference to the actual working condition and frequency of your lift.

The following parts need to be lubricated with No.1 lithium base grease.



6.1. Daily checking items before operation

The user must perform daily check. Daily check of safety lock system is very important – the discovery of device failure before action could save your time and prevent you from great loss, injury or casualty.

- Before operation, judge whether the safety lock is engaged by sound.
- Check whether oil hose is well connected and whether it leaks or not.
- Check the electrical system.
- Check if safety teeth and safety block matched well or not.

6.2. Weekly checking items

- Check the flexibility of moving parts.
- Check the working conditions of safety parts.
- Check the amount of oil left in the oil tank. Oil is enough if the platforms can be raised to highest position. Otherwise, oil is insufficient.

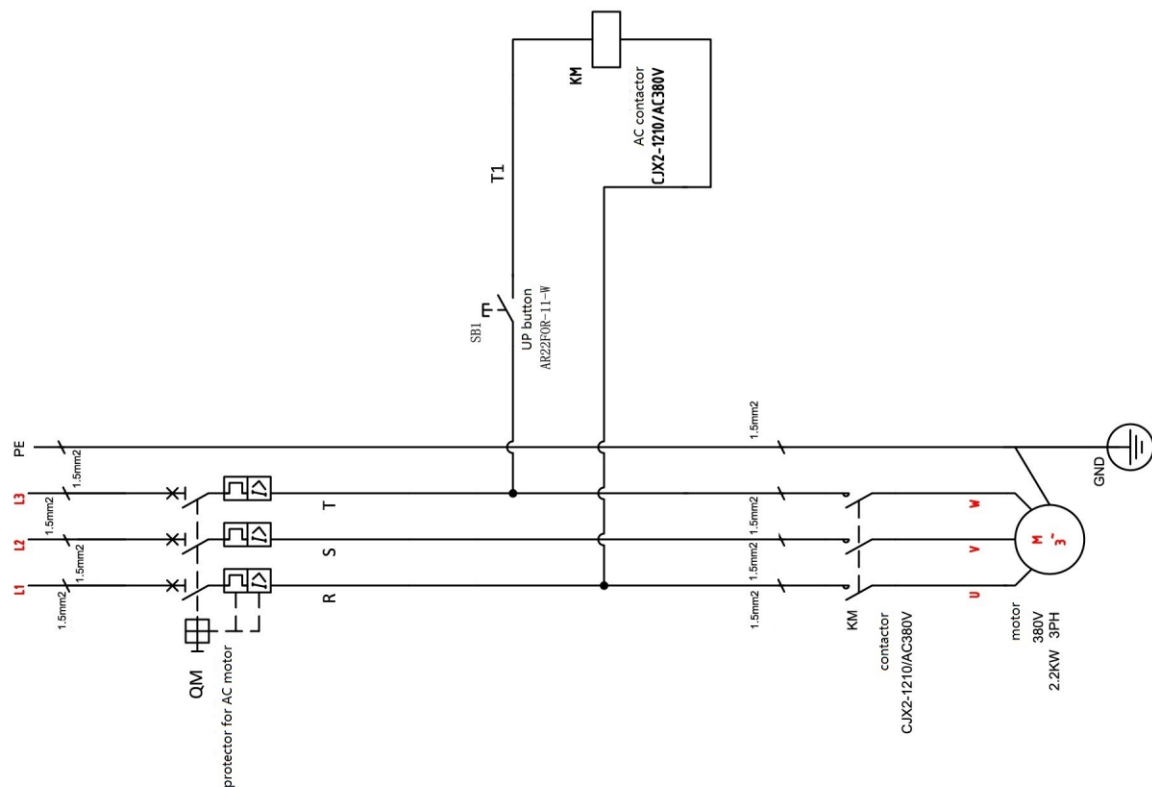
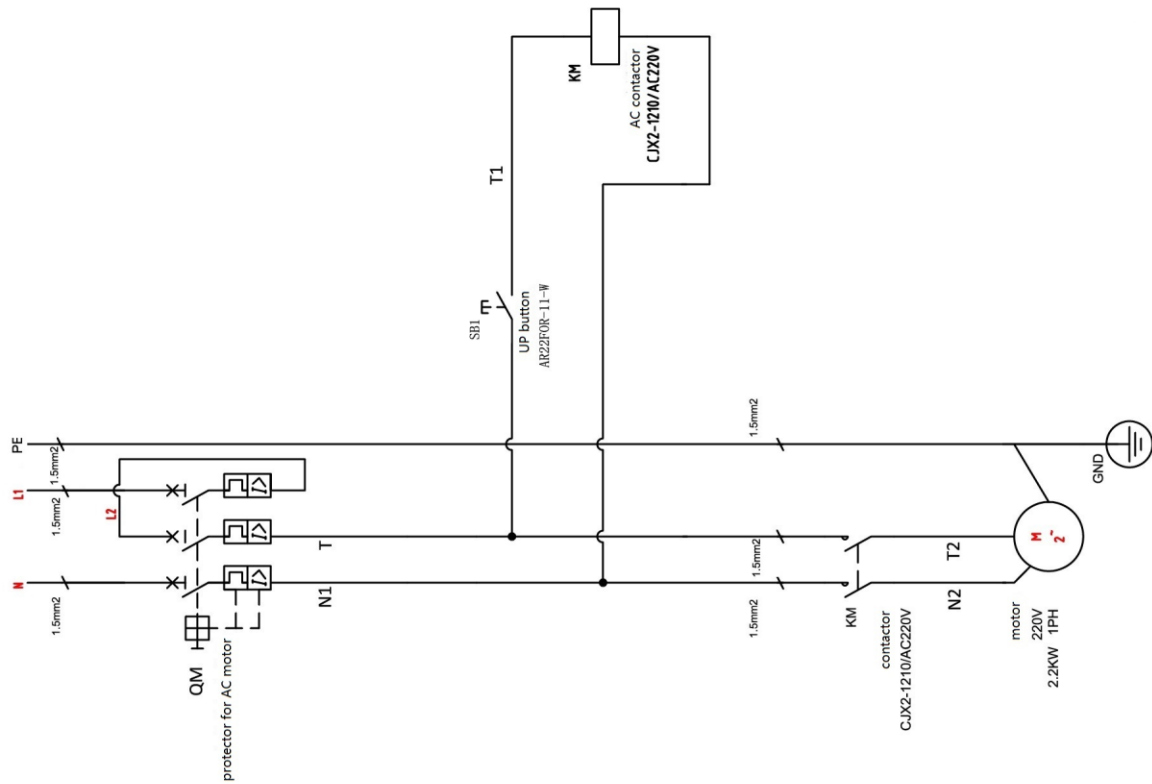
6.3. Monthly checking items

- Check the tightness of the hydraulic system and screw firm the joints if it leaks.

6.4. Yearly checking items

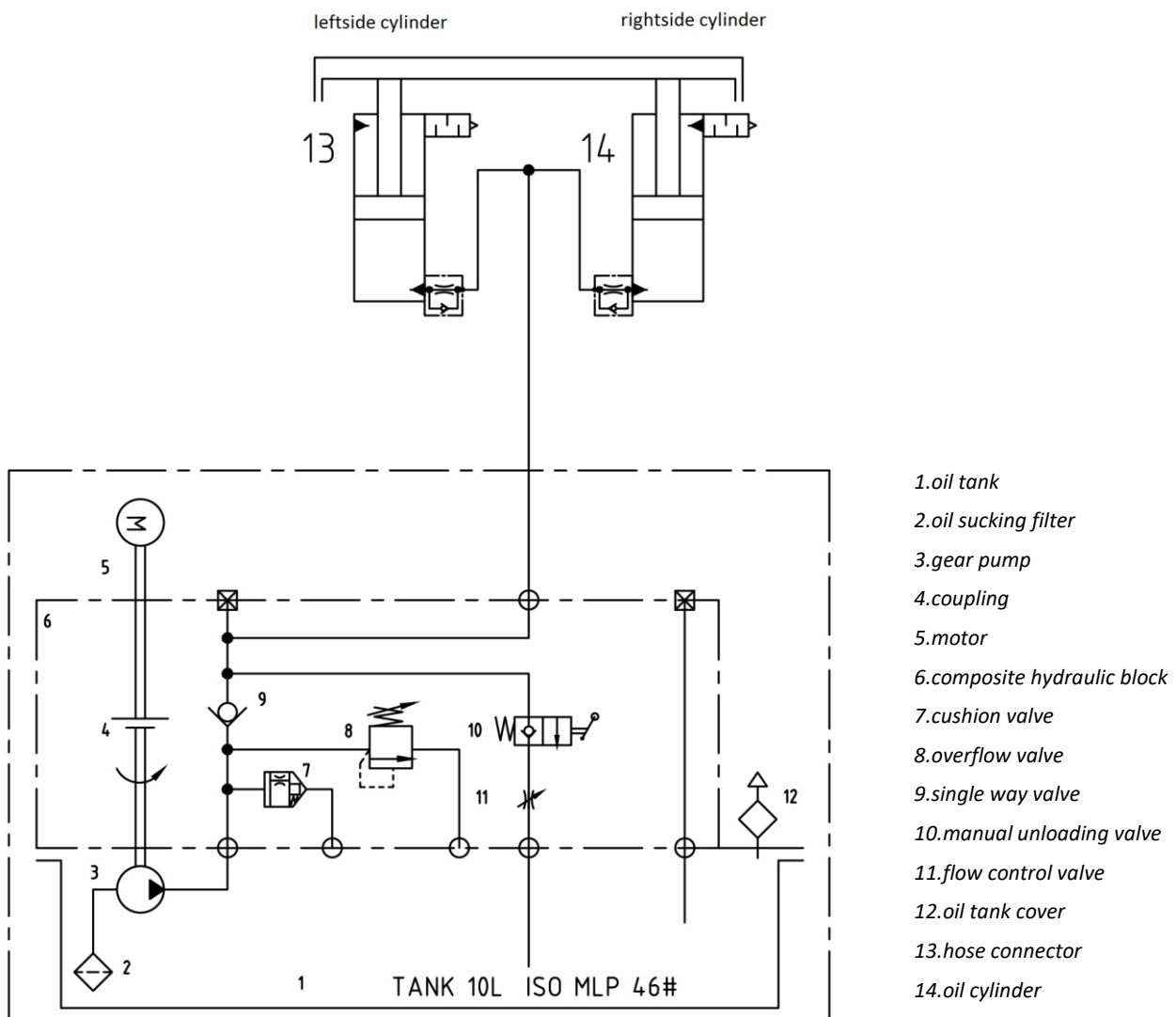
- Empty the oil tank and check the quality of hydraulic oil.
- Wash and clean the oil filter.

If users stick to the above maintenance requirements, the lift will always keep a good working condition and its service life could be extended.

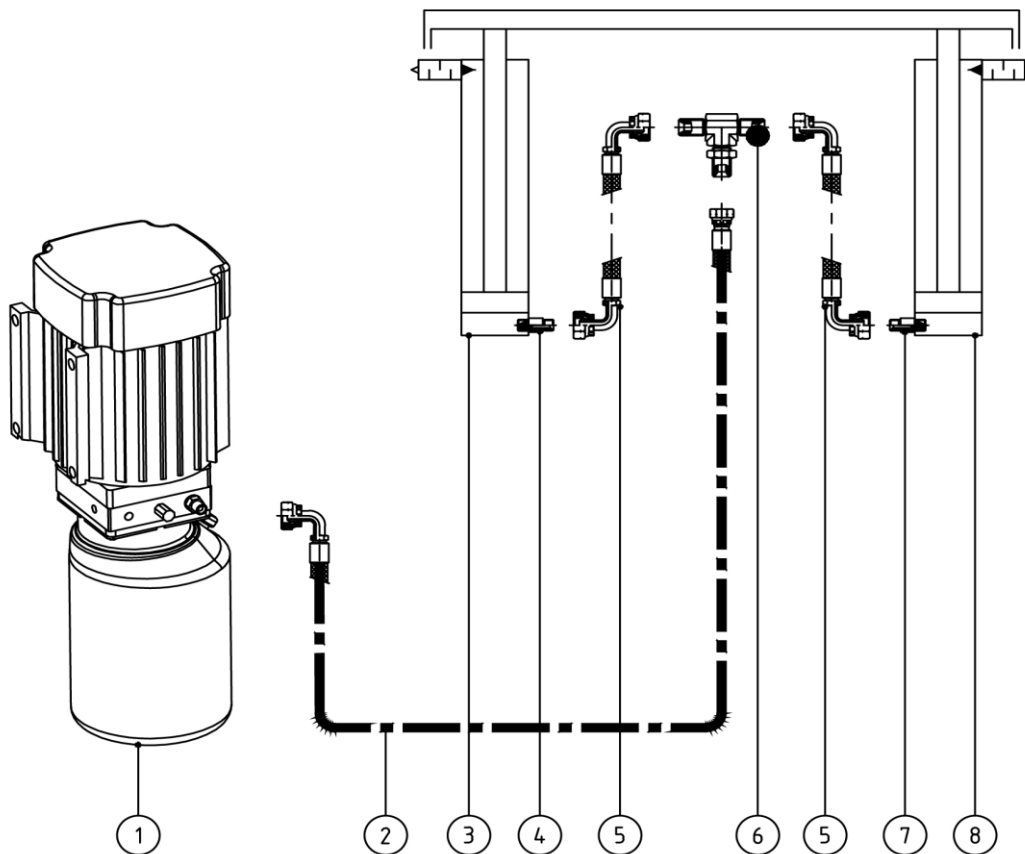
Annex 1, Electrical schemes and parts list


Pos.	Code	Name	Specification	Qty
M		Motor	2.2KW	1
KM	320901003	AC contactor (220V)	CJX2-1210/AC220V	1
	320901004	AC contactor (230V)	CJX2-1210/AC230V	1
	320901005	AC contactor (240V)	CJX2-1210/AC240V	1
	320901025	AC contactor (380)	CJX2-1210/AC380V	1
	320901007	AC contactor (400V)	CJX2-1210/AC400V	1
	320901008	AC contactor (415V)	CJX2-1210/AC415V	1
	320901014	AC contactor (110V)	CJX2-1210/AC110	1
	SB1	320401013	PUSH button	AR22FOR-11-W
QM	321204021	AC motor Protector	NS2-32	1
	321204020	Water proof box for the AC motor Protector	NS2-MC	1

Annex 2, Hydraulic schemes and parts list



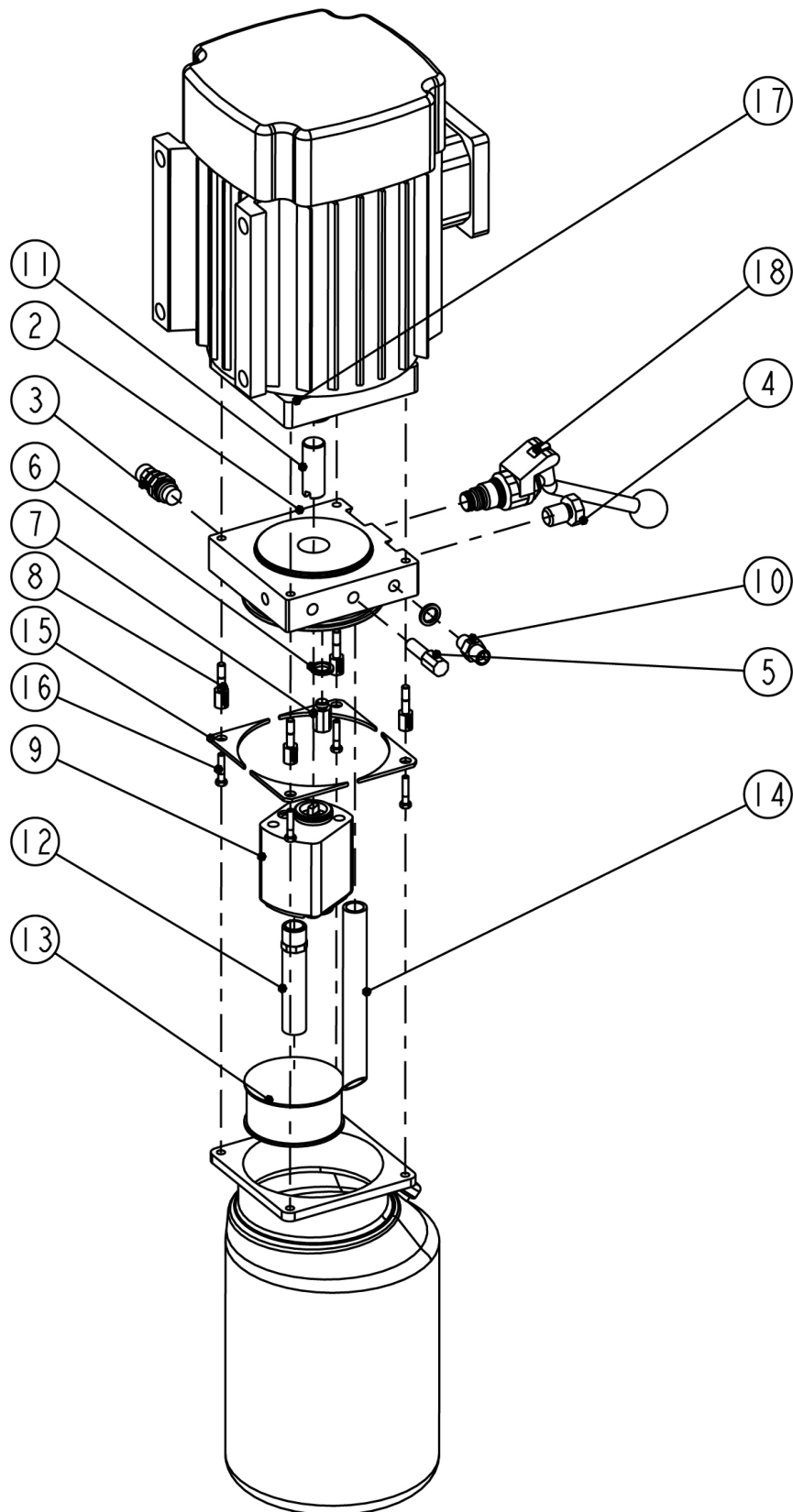
- 1.oil tank
- 2.oil sucking filter
- 3.gear pump
- 4.coupling
- 5.motor
- 6.composite hydraulic block
- 7.cushion valve
- 8.overflow valve
- 9.single way valve
- 10.manual unloading valve
- 11.flow control valve
- 12.oil tank cover
- 13.hose connector
- 14.oil cylinder



POS.	Code	Name	Specification	Qty
1		Power unit	2.2kW	1
2	624001064	Rubber oil hose	L=3500mm,	1
3	615033012	Cylinder 2	TS6600-A05-B01	1
4	310101010	Straight connector	G1/4---G1/4	1
5	624001847	Rubber oil hose	L=200mm	2
6	615006003	Three way connector	6214E-A4-B4(6214A-A5-B2)	1
7	310101010	Straight connector	G1/4---G1/4	1
8	615033013	Cylinder 2	TS6600-A05-B02	1

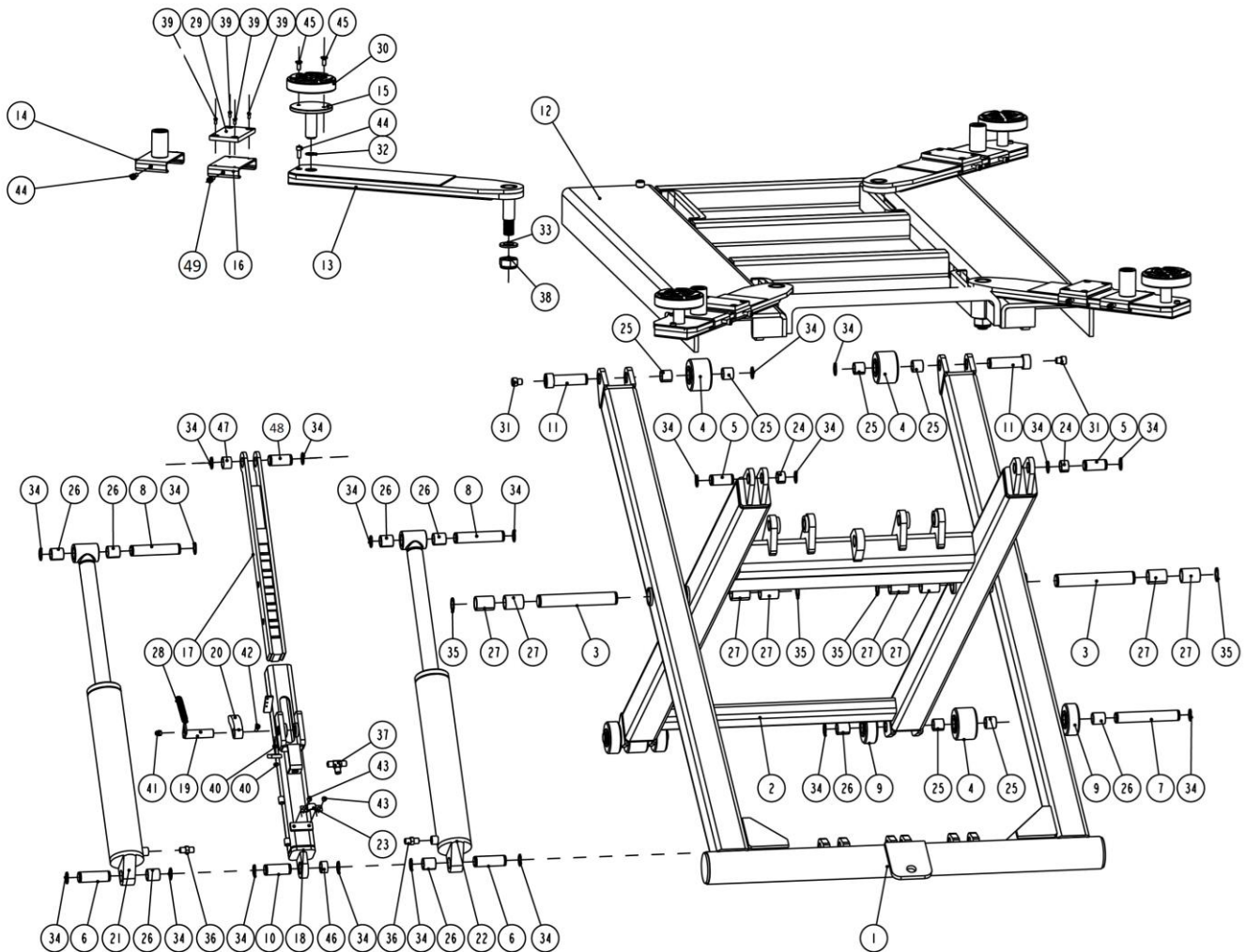
SEAL RINGS FOR OIL CYLINDER

POS.	Code	Name	Specification	Qty
1	207102029	Y seal ring	UN 70*55*10	1
2	207101024	Type O seal ring	23.6*3.55	1
3	207105016	Dust proof ring	DH38	1



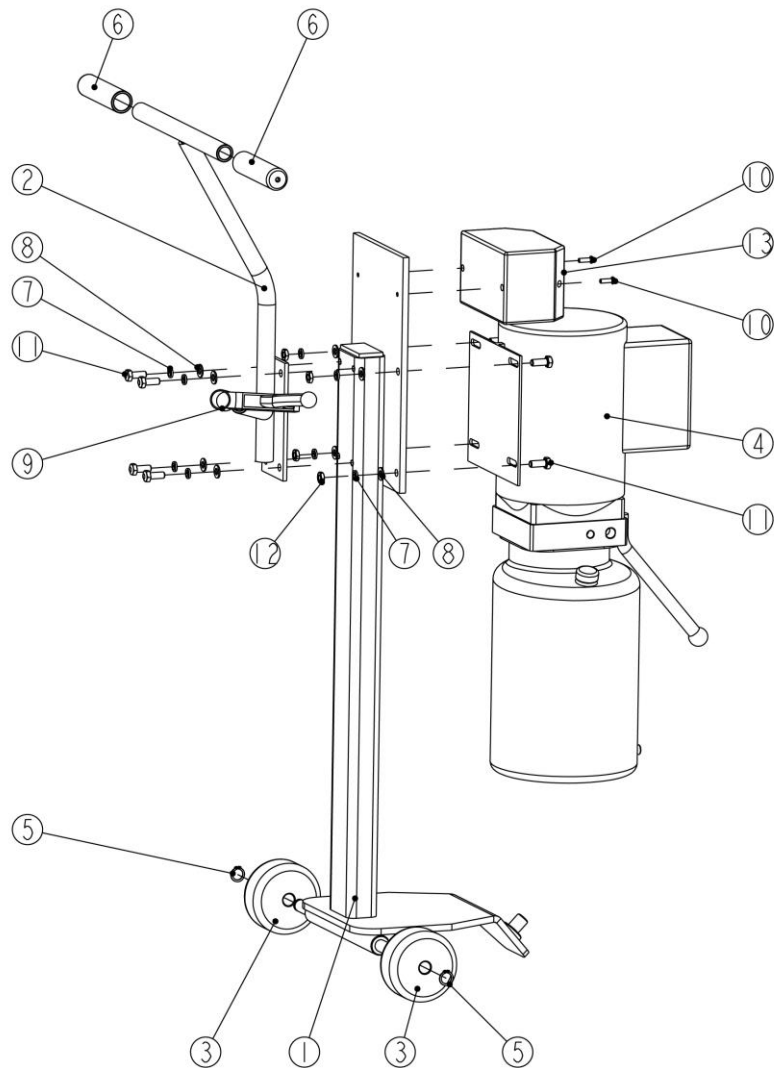
POS.	Code	Name	Specification	Qty
1	330405014	Oil tank	6L	1
2	330101004	Hydraulic block	YF-2	1
3	330304001	Overflow valve	EYF-C	1

POS.	Code	Name	Specification	Qty
4	330302001	Single way valve	DYF-C	1
5	330305002	Throttle valve	TC-VF	1
6	207103019	Composite washer	M14	2
7	330301001	Cushion valve	HZYF-C1	1
8	202109064	Screw	M6*30	4
9	330201004B	Gear pump (for 3Ph motor)	CBK-F216	1
9	330201003B	Gear pump (for 1Ph motor)	CBK-F210	1
10	310101008	Straight connector	M14*1.5-G1/4	1
11	330404001	Coupling	YL-A	1
12	330401001	Oil sucking tube	YX-BL-170	1
13	330403001	Oil sucking filter	YG-C	1
14	330402001	Oil back tube	YH-D	1
15	410010091	Reinforced plate	6254E-A4-B12	4
16	201103001	Hex flange screw	M5*25	4
17	320201057	Motor	220V-2.2KW -1PH-50HZ-2P	1
	320201058	Motor	230V-2.2KW -1PH-50HZ-2P	1
	320201059	Motor	240V-2.2KW -1PH-50HZ-2P	1
	320201060	Motor	380V-2.2KW -3PH-50HZ-2P	1
	320201061	Motor	400V-2.2KW -3PH-50HZ-2P	1
	320201082	Motor	110V-2.2KW -1PH-60HZ-4P	1
	320201066	Motor	220V-2.2KW -1PH-60HZ-2P	1
	320201067	Motor	230V-2.2KW -1PH-60HZ-2P	1
	320201068	Motor	240V-2.2KW -1PH-60HZ-2P	1
	320201069	Motor	380V-2.2KW -3PH-60HZ-2P	1
18	330303001	Manual unloading valve	XYF-C	1

Annex 3, Mechanical exploded drawings and parts list


POS.	Code	Name	Specification	Qty
1	614033004B	Welded arm A	TS6600-A01-B01	1
2	614033005B	Welded arm B	TS6600-A01-B02	1
3	410330161	Pin shaft of the main arm	TS6600-A01-B03	2
4	410330171	Up rolling wheel	TS6600-A01-B04	4
5	410330151	Pin shaft	TS6600-A01-B05	2
6	410330121	Down shaft of oil cylinder	TS6600-A01-B06	2
7	410330191	Shaft of the down wheel	TS6600-A01-B07	2
8	410330411	UP shaft of oil cylinder	TS6600-A01-B08	2
9	410330771	Down rolling wheel	TS6600-A01-B09	4
10	410330181	DOWN shaft of mechanical lock	TS6600-A01-B10	1
11	410330421	Shaft of the up rolling wheel	TS6600-A01-B11	2
12	614033006	Platform	TS6600-A02-B01	1
13	614033007	Lifting arm	TS6600-A03-B01	4
14	614033008	Welded lifting tray holder assembly	TS6600-A03-B02-C01	4
15	612033001	Lifting tray	TS6600-A03-B03-C01	4

POS.	Code	Name	Specification	Qty
16	410330573	Lifting pad holder	TS6600-A03-B06-C01	4
17	612033002B	Mechanical safety lock	TS6600-A04-B01	1
18	614033010B	Mechanical lock cover	TS6600-A04-B02	1
19	614033011	Release pin shaft	TS6600-A04-B03	1
20	410330761	Safety block	TS6600-A04-B05	1
21	615033012	Oil cylinder A	TS6600-A05-B01	1
22	615033013	Oil cylinder B	TS6600-A05-B02	1
23	208101015	Hose clip D16	16-JB-ZQ-4492	1
24	205101008	Bearing	2518_SF-1	2
25	205101010	Bearing	2525_SF-1	8
26	205101012	Bearing	2530_SF-1	10
27	205101022	Bearing	3045_SF-1	8
28	410274470C	Pulling spring	6435B-A4-B30	2
29	420040040	Square lifting pad	6254E-A7-B2	4
30	420040250	Round lifting pad	6254E-A7-B4-C4	4
31	420210060B	Padding block	6603B-A5-B6	2
32	204301007	Circlip	M20	4
33	203103011	Flat washer C	D24_GB95	4
34	204301009	Circlip	D25_GB894_1	22
35	204301011	Circlip	D30-GB894_1	4
36	310101010	Straight connector	G1/4--G1/4	2
37	615006003	Three way connector	6214E-A4-B4(6214A-A5-B2)	1
38	204101012	Hex locking nut	M24	4
39	202103028	Hex socket flat head screw	M5X8	16
40	203101004	Hex nut	M6-GB6170	2
41	208107006	Screw for release cable	M6X10	1
42	202109020	Hex socket cylinder head screw	M6X15	1
43	202101027	Cross socket cap head screw	M6X8-GB818	2
44	202109148	Hex socket cylinder head screw	M8X10-GB70	4
45	202111007	Hex socket flat head screw	M8X20-GB70_3	8
46	205101097	Bearing	SF1-2515	1
47	205101096	Bearing	SF1-2520	1
48	410330831B	Shaft	TS6600-A01-B12	1
49	202109029	Hex socket cylinder head screw	M8X20-GB70	8



POS.	Code	Name	Specification	Qty
1	614033001B	Support bracket	TS6600-A06-B01	1
2	614033002	Handle	TS6600-A06-B02	1
3	420330060	Nylon wheel	TS6600_M90X43	2
4		Power unit	2.2kW	1
5	204301004	Circlip	D15_GB894_1	2
6	420480080	Handle sheath	D22X100	2
7	204201004	Spring washer	D8_GB_T93	8
8	204101005	Flat washer	D8_GB_T97_1	8
9	615048003	Handle	M12X100	1
10	202101023	Cross socket cap head screw	M5X16-GB818	2
11	201102012	Hex head full swivel screw	M8X20_GB_T5782	8
12	203101005	Hex nut	M8_GB6172	4
13	321204021	AC motor protector	NS2-32	1